

Precision Sails **Measurement Form**

Spinnaker / Downwind Sail



9724 Fourth St Suite 101 – Sidney, BC
1-888-958-5638
www.precision sailloft.com

At Precision Sails Ltd, we understand the importance of a well-fitted sail for optimal performance on the water. Our goal is to provide you with a sail that not only looks great but also performs exceptionally well. By filling out this form to the best of your ability, you help us achieve this goal and ensure your sail is a perfect fit for your boat.

Before You Start

Before heading to your boat and measuring make sure you have the following:

- Reeled Tape Measure (Do Not Use Rope)
- Measurement Form
- Camera or Phone

Resources



Video Tutorial



Online Form



Form Submit



1. Sailor Information

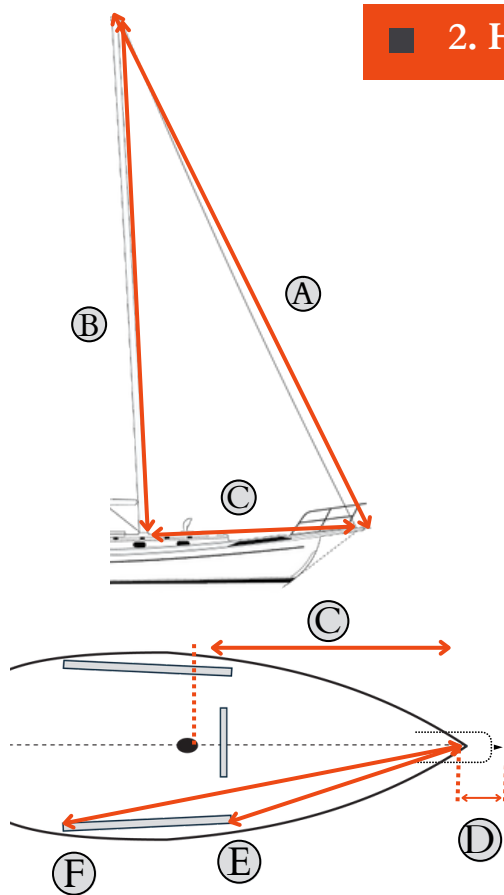
Order Number : Boat Year and Make :

Name : Phone Number :

2. Halyard Location

MASTHEAD (TOP OF MAST) FRACTIONAL (SLIGHTLY BELOW)

3. Rig Measurements



Max Hoist (A)	Hoist a tape on your Spinnaker Halyard until it stops. Measure to the tack block at the deck or bowsprit.	:	<input type="text"/>
Foretriangle Height (B)	With tape hoisted, measure from the top halyard to the side deck on fwd side of mast.	:	<input type="text"/>
Foretriangle Base (C & D)	Measure from the forestay to foreside of mast	:	<input type="text"/>
	Bowsprit (If applicable) Give the bowsprit length from forestay to the tack block attachment	:	<input type="text"/>
Spinnaker Block Location	Fixed (E) Measure from the tack attachment to the sheeting block location	:	<input type="text"/>
	Adjustable Block (E & F) Measure from the tack block to the forwardmost position & aft position	FWD :	<input type="text"/>
		AFT :	<input type="text"/>
On Cabin Block Location	Raised Block Measure the height from deck	:	<input type="text"/>



■ **4. Spinnaker Sock**

Do you intend to (*now or in the future*) use a spinnaker sock to launch and douse your spinnaker?

Yes No

■ **5. Spinnaker Furler**

Will you be using a spinnaker furler to launch and douse your spinnaker?

Yes No

Furler Model

:

■ **6. Spinnaker Pole**

Will you be using a spinnaker pole? If yes provide pole length.

Yes No

Pole Length

:

■ **7. Spinnaker Colors**

• Please select a color option

STANDARD
• One color

CUSTOM
• Up to three colors

SPECIAL ORDER
• Speak to your sail designer about adding more colors



Natural



Light Blue



Dark Blue



Green



Red



Orange



Coast Gold



Yellow



Purple



Navy



Black



Colors are a digital representation of sailcloths and final color may vary depending on sailing conditions, production run, or lighting.



Custom build your Spinnaker sail, add colors and change the pattern. Scan the QR Code to use the Spinnaker Builder tool on our website.

ADDITIONAL NOTES -

■ **Form Submission**

Phone and Fax: 1-888-958-5638 • www.precision sailloft.com • measurements@precision sailloft.com

