

Furling Headsail

At Precision Sails Ltd, we understand the importance of a well-fitted sail for optimal performance on the water. Our goal is to provide you with a sail that not only looks great but also performs exceptionally well. By filling out all the relevant sections to the best of your ability, you help us achieve this goal and ensure your sail is a perfect fit for your boat.

Before You Start

Before heading to your boat and measuring make sure you have the following:

- Reeled Tape Measure (**Do Not Use Rope**)
- Measurement Form
- Camera or Phone
- Calipers or Complete Drill Bit Set

Resources



Video
Tutorial



Online
Form



Form
Submit



1. Sailor Information

Order Number : Boat Year and Make :

Name : Phone Number :

2. Measure Your Existing Headsail

- Lay the sail out on a flat surface: grass, driveway, or parking lot.
- When you measure the sail we only need straight-line measurements for each point.
- Sails stretch overtime. Do not try to account for stretch. This measurement is used as a guideline.
- Do not try to measure any curves in the sail. Our designers will make the correct adjustments when we build your sail. **Make sure to pull the sail taut before measuring.**

Existing Sail UV Location

- STARBOARD
- PORT

Headsail Measurements



- Measure the forward leading edge of your existing headsail. : LUFF
- Measure from the Head to the Clew in a straight line. : LEECH
- Measure the bottom edge of your existing headsail. : FOOT

Use this diagram to help you measure your sails

Photo List (Highly Recommended)
Include these photos with your form

- From 90 degrees abeam, deck to masthead.
- Furling system, including the top swivel
- Appropriate headsail track / deck orientation.
- Photo of furling system measurement (B) being taken

■ **3. Luff**

Luff Tape (Furling/Foil)
Does your sail slide into a furler?

Wire Luff
Is there a wire built into your sail?

■ **4. Furling System**

Furling Drum Height (A)

- Measure from the deck to the location of the tack attachment point on your furling drum

:

Furling Rotation Direction

Headsail Max Hoist (B)

- Measure the distance between where the head attaches to the upper furling swivel to the tack attachment point on the lower furling drum or pennant.

:

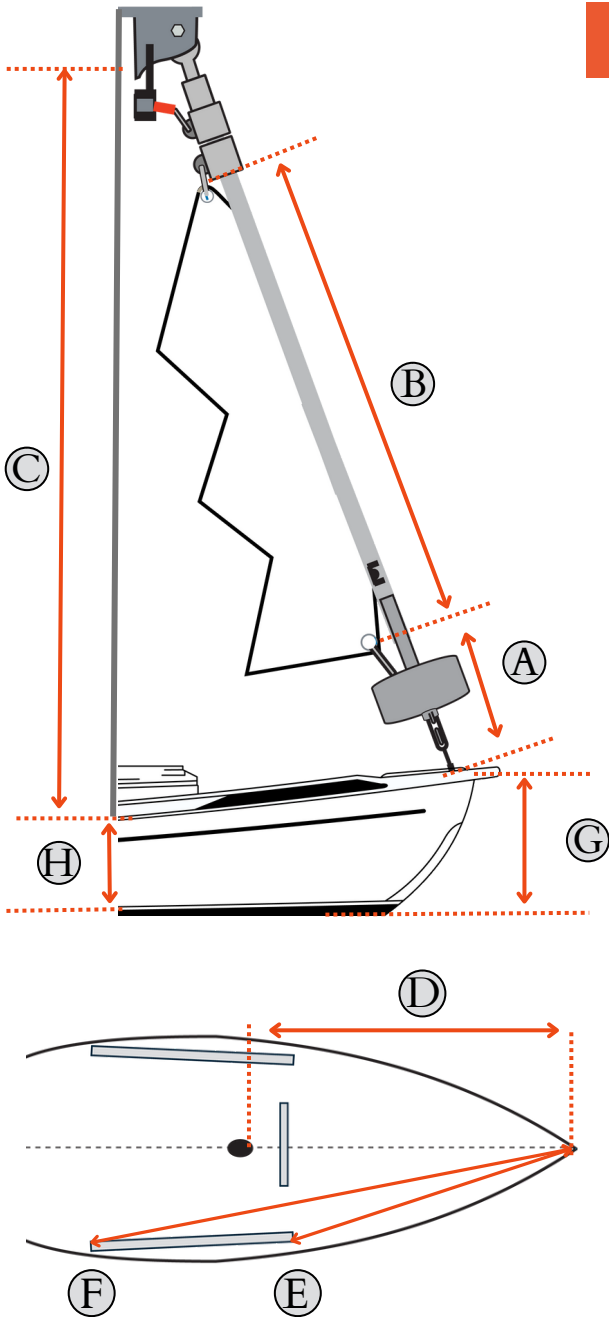
CLOCKWISE
(UV on port)

Pennant Measurement

- If you have a pennant please measure the length separately.

:

COUNTER CW
(UV on starboard)



■ **5. Luff Specifications**

Furler Manufacturer

Furler Model

:

:

Luff Tape Size:

Insert a drill bit into the entry point of the furling system luff groove to verify selection or use calipers.

Tape	Finished Size	Drill Bit
<input type="checkbox"/> #5	3.97MM	5/32"
<input type="checkbox"/> #6	4.76MM	3/16"
<input type="checkbox"/> #7	5.56MM	7/32"
<input type="checkbox"/> #8	6.35MM	1/4"

Existing luff tape :

■ **6. Rig Measurements**

Foretriangle Height (C)

- Measure from the top of the halyard to the side deck on forward side of the mast.

:

Foretriangle Base (D)

- Measure along deck from the forestay to the forward face of mast

:

Headstay to FWD track (E)

- Measure from tack attachment point on drum to the forward edge of headsail track you will be sheeting to.

:

Headstay to AFT track (F)

- Measure from tack attachment point on drum to the aft edge of the headsail track you will be sheeting to.

:

■ **7. Track Position**

- On Cabin**
• Height from deck
- On Deck**
- Self Tacking**

■ **8. Block Style**

- Fixed**
- Adjustable**



9. Waterline

Forestay to Water (G)
 • At the bow, measure the vertical distance to the waterline up to the intersection of the deck and the forestay.

Base to Water (H)
 • At the front of the mast, measure the vertical distance from the waterline up to the deck.

10. Customization Options

SAIL DISTINCTIONS

SAIL NUMBERS

DRAFT STRIPE COLOR

- Black
- Red
- Blue
- Green

SAIL NUMBER COLOR

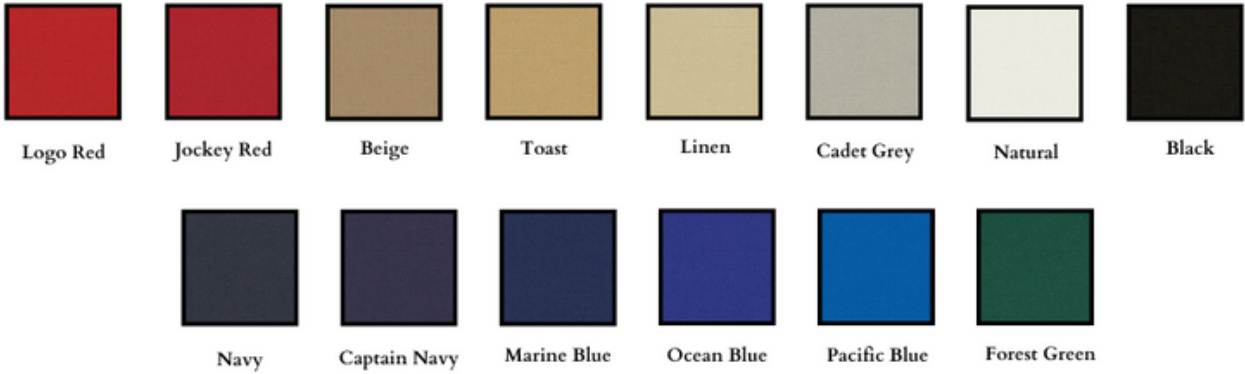
- Black
- Red
- Blue
- Green

UV COLORS

• Please select a color option

DACRON UV
 • Only in white

ACRYLIC UV
 • Select ONE color option below



Colors are a digital representation of sailcloths and final color may vary depending on sailing conditions, production run, or lighting.



Looking for more information about color options? Scan the QR Code for a web view of available colors and fabrics, or speak to your sail consultant

ADDITIONAL NOTES -

Form Submission

Phone and Fax: 1-888-958-5638 • www.precision sailloft.com • measurements@precision sailloft.com

